



MSNST ANNULAR LOAD CELL

50,000 LBS MODEL



50,000 LBS Annular Load Cell Description:

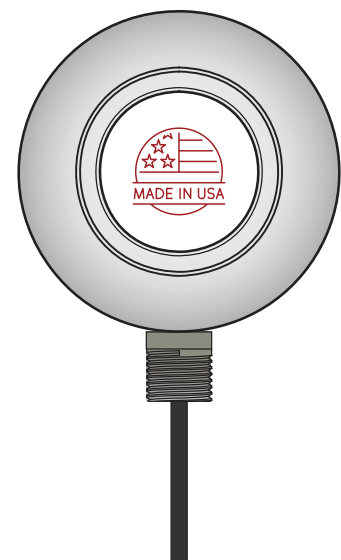


Measurement Specialists Inc., dba National Scale Technology, offers annular load cells as heavy-duty rings ideal for use in anchoring systems, sling lifts, and tension testing. Thanks to their central aperture, Measurement Specialists' washer load cells are great for measuring bolt fastening and clamping forces in automotive and construction applications, as well as in rolling mills.

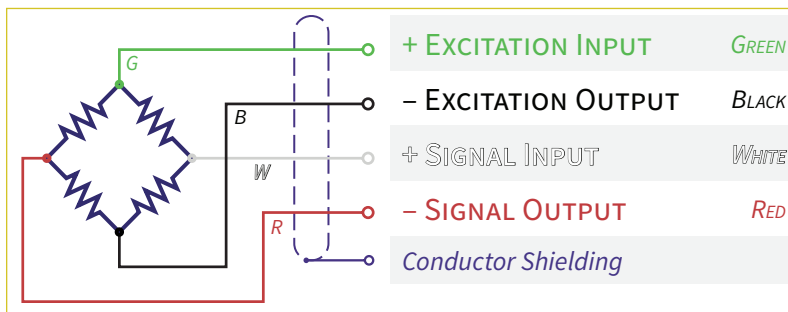
SPECIFICATIONS

Capacity	50,000 U.S. LBS	
Maximum Overload	Safe: 150%	Ultimate: 300%
Construction	17-4PH Stainless Steel + Heavy-Duty Teflon Cable 25' 4-Conductor Shielded	
Temperature Range	10°F — 200°F	
Excitation Voltage	10V — 15V AC/DC	
Output Configurations	2mV / V ±0.1%	
Bridge Resistance	350Ω Input & Output, ±1% ohms	
Insulation Resistance	5000 MΩ min	
Accuracy & Precision	Nonlinearity: 0.35% Full-Scale Output	Repeatability: 0.05% Full-Scale Output

ASSEMBLY NO. 1700124



WIRING SCHEMATIC



All calibrations conducted with traceability to NIST standards.

Please note that specifications or results may vary as we at Measurement Specialists can customize units per request, as needed.

160 West Park Loop Northwest, Huntsville, Alabama 35806-1744

Toll-Free: (800) 264-9990
www.msnst.com

**MEASUREMENT
SPECIALISTS**
NATIONAL SCALE TECHNOLOGY

NAICS Codes:
334513 • 541330 • 811210

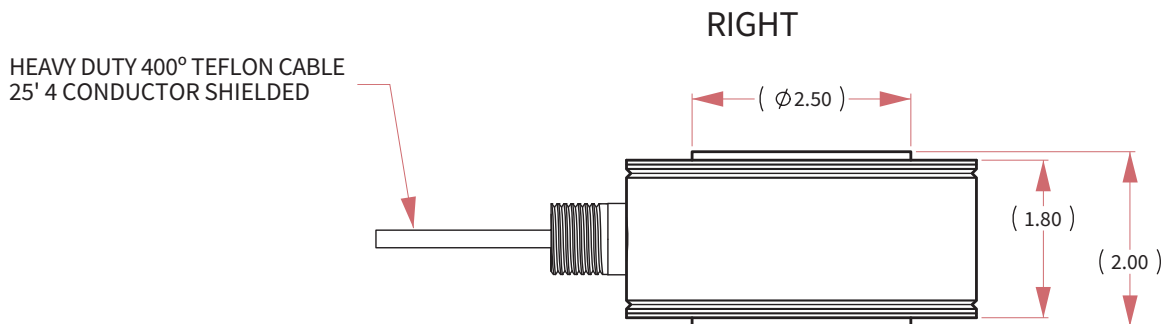
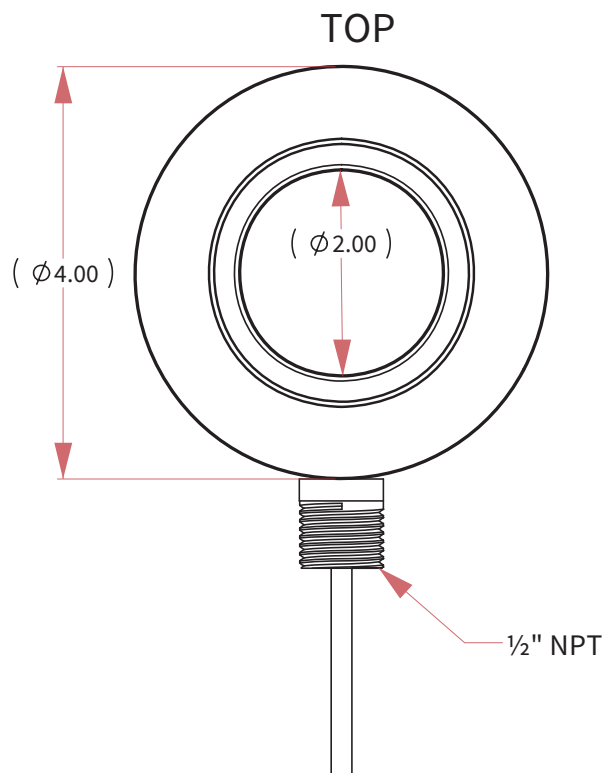


MSNST ANNULAR LOAD CELL

50,000 LBS MODEL



50K | DIMENSIONS



160 West Park Loop Northwest, Huntsville, Alabama 35806-1744

Toll-Free: (800) 264-9990
www.msnst.com

**MEASUREMENT
SPECIALISTS**
NATIONAL SCALE TECHNOLOGY

NAICS Codes:
334513 • 541330 • 811210



MSNST ANNULAR LOAD CELL

1,000,000 LBS MODEL



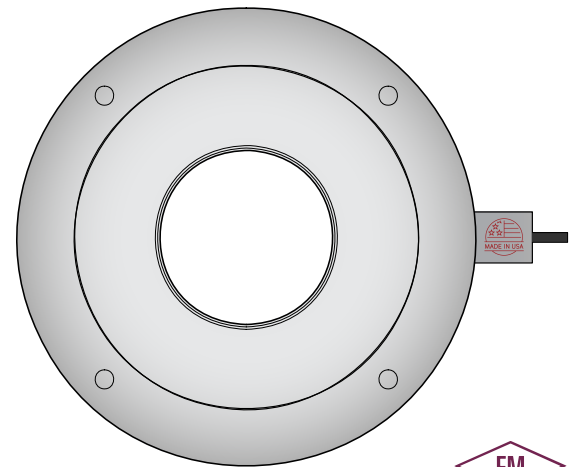
500 Tonne Rolling Mill Description:

Measurement Specialists Inc., dba National Scale Technology, offers annular load cells as heavy-duty rings ideal for use in anchoring systems, sling lifts, and tension testing. Thanks to their central aperture, Measurement Specialists' washer load cells are great for measuring bolt fastening and clamping forces in automotive and construction applications, as well as in rolling mills.

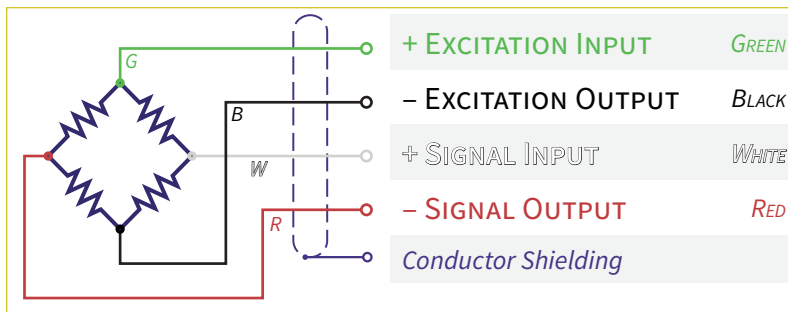
SPECIFICATIONS

UNIT No. 1700764

Capacity	1,000,000 U.S. LBS	
Maximum Overload	Safe: 300%	Ultimate: 500%
Construction	17-4PH Stainless Steel + Heavy-Duty Polyurethane Cable 20' 4-Conductor Shielded	
Temperature Range	20°F — 250°F	
Excitation Voltage	10V — 15V AC/DC	
Output Configurations	1.5mV / V ±0.1%	
Bridge Resistance	700Ω Input & Output, ±1% ohms	
Insulation Resistance	5000 MΩ min	
Accuracy & Precision	Nonlinearity: 0.25%	Repeatability: 0.10%
	Full-Scale Output	Full-Scale Output



WIRING SCHEMATIC



All calibrations conducted with traceability to NIST standards.

Please note that specifications or results may vary as we at Measurement Specialists can customize units per request, as needed.

160 West Park Loop Northwest, Huntsville, Alabama 35806-1744

Toll-Free: (800) 264-9990
sales@msnst.com

**MEASUREMENT
SPECIALISTS**
NATIONAL SCALE TECHNOLOGY

NAICS Services:
334513 • 541330 • 811210

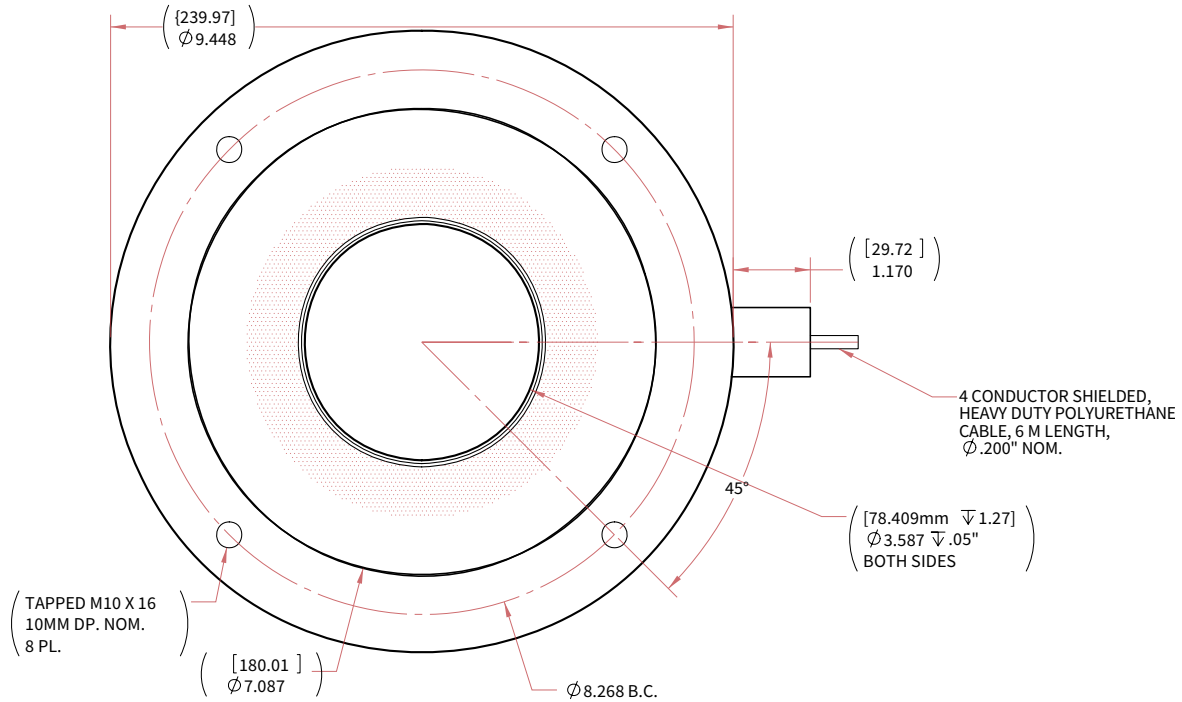


MSNST ANNULAR LOAD CELL

1,000,000 LBS MODEL

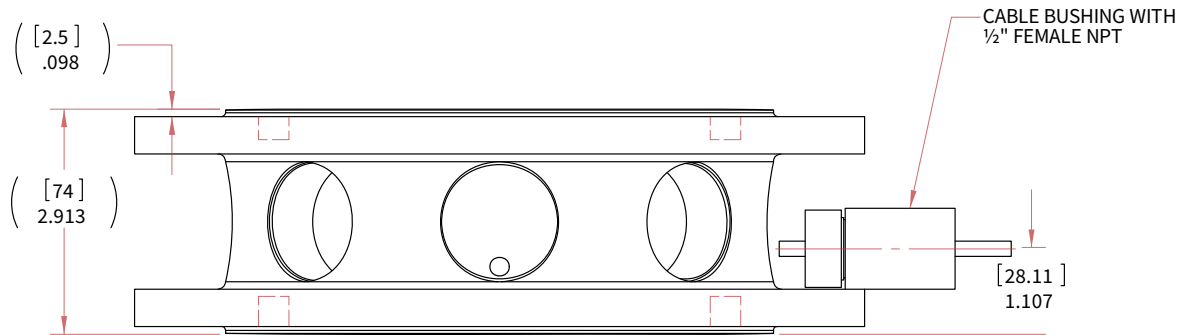


1700764 | DIMENSIONS



NOTE: SHADED AREA IS LOADING SURFACE

NOTE: FOR EVEN LOAD DISTRIBUTION, WE RECOMMEND ALUMINUM SHIMS 1/16" TO 1/8" THICK ON ONE OR BOTH LOAD FACES.



160 West Park Loop Northwest, Huntsville, Alabama 35806-1744

Toll-Free: (800) 264-9990
sales@msnst.com

**MEASUREMENT
SPECIALISTS**
NATIONAL SCALE TECHNOLOGY

NAICS Services:
334513 • 541330 • 811210



MSNST ANNULAR LOAD CELL

900,000 LBS MODEL



4 Million Newton Ring Cell Description:

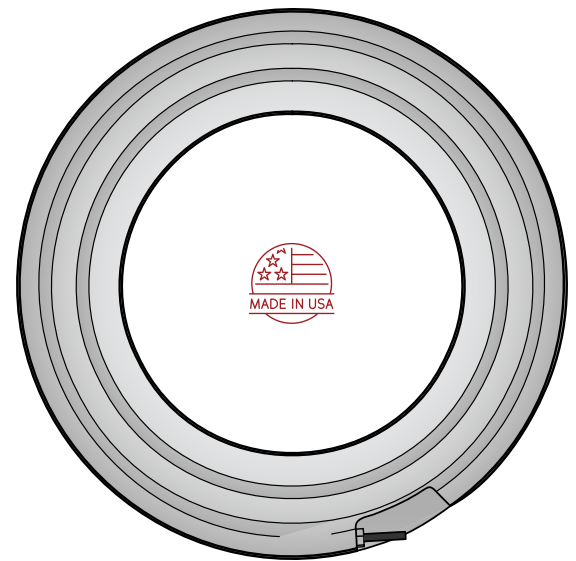


Measurement Specialists Inc., dba National Scale Technology, offers annular load cells as heavy-duty rings ideal for use in anchoring systems, sling lifts, and tension testing. Thanks to their central aperture, Measurement Specialists' washer load cells are great for measuring bolt fastening and clamping forces in automotive and construction applications, as well as in rolling mills.

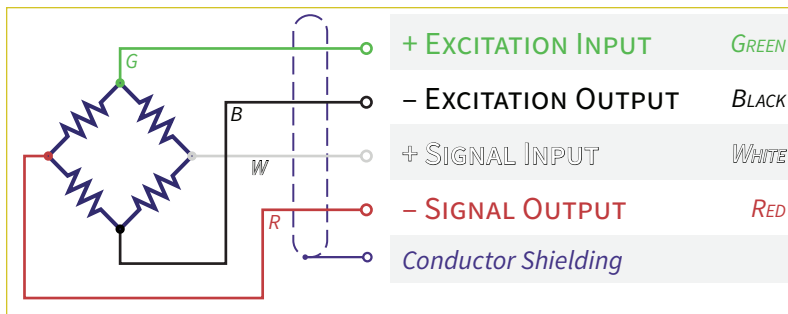
SPECIFICATIONS

UNIT No. 1700843

Capacity	899,236 U.S. LBS
Maximum Overload	Safe: 150% Ultimate: 300%
Construction	17-4PH Stainless Steel + Heavy-Duty Polyurethane Cable 10' 4-Conductor Shielded
Temperature Range	10°F — 110°F
Excitation Voltage	10V — 15V AC/DC
Output Configurations	1.5mV / V ±0.1%
Bridge Resistance	350Ω Input & Output, ±1% ohms
Insulation Resistance	5000 MΩ min
Accuracy & Precision	Nonlinearity: 1.00% Repeatability: 0.30%
	Full-Scale Output Full-Scale Output



WIRING SCHEMATIC



All calibrations conducted with traceability to NIST standards.

Please note that specifications or results may vary as we at Measurement Specialists can customize units per request, as needed.

160 West Park Loop Northwest, Huntsville, Alabama 35806-1744

Toll-Free: (800) 264-9990
sales@msnst.com

**MEASUREMENT
SPECIALISTS**
NATIONAL SCALE TECHNOLOGY

NAICS Services:
334513 • 541330 • 811210

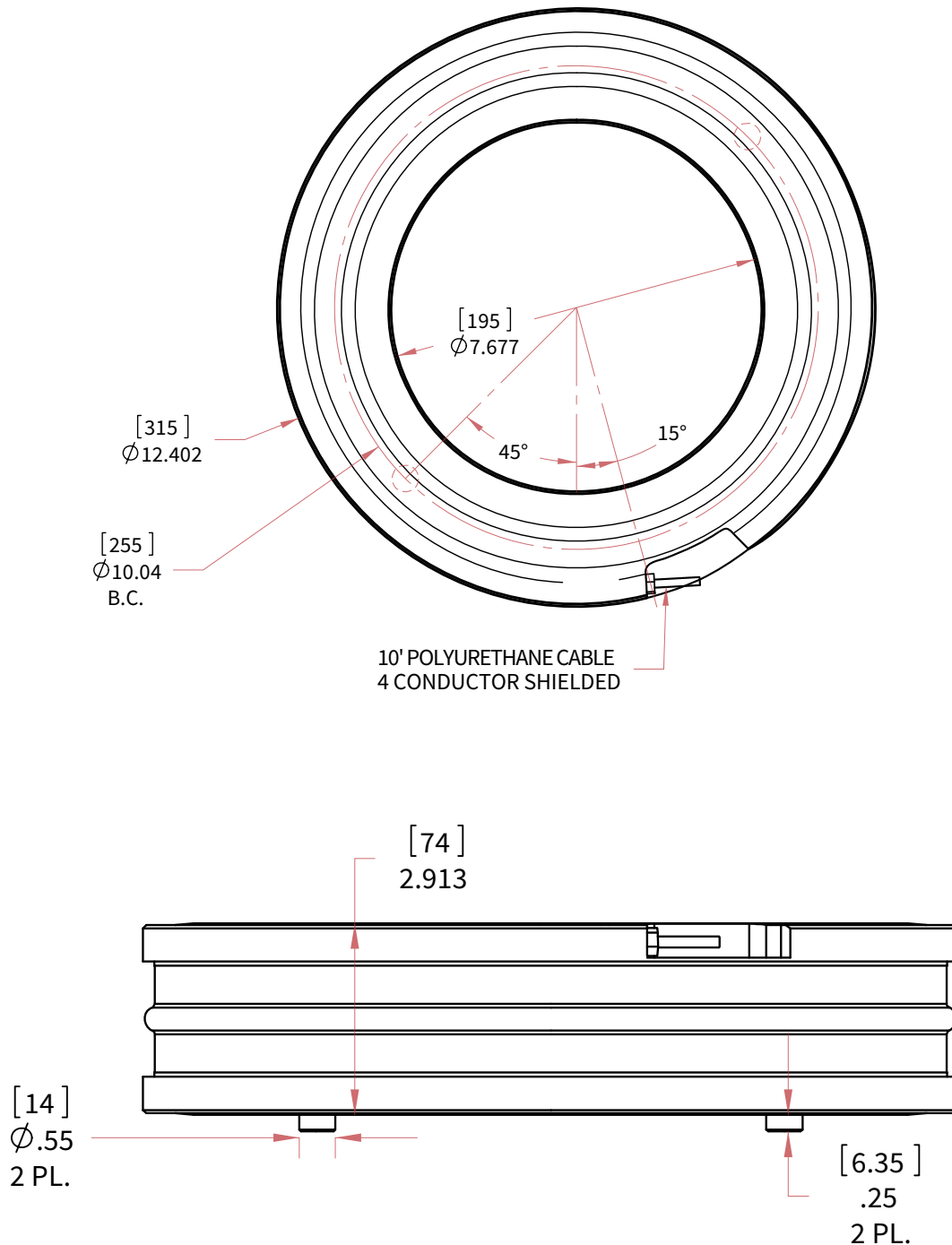


MSNST ANNULAR LOAD CELL

900,000 LBS MODEL



1700843 | DIMENSIONS



160 West Park Loop Northwest, Huntsville, Alabama 35806-1744

Toll-Free: (800) 264-9990
sales@msnst.com

**MEASUREMENT
SPECIALISTS**
NATIONAL SCALE TECHNOLOGY

NAICS Services:
334513 • 541330 • 811210



MSNST ANNULAR LOAD CELL

20,000 LBS MODEL



20K Annular Load Cell Description:

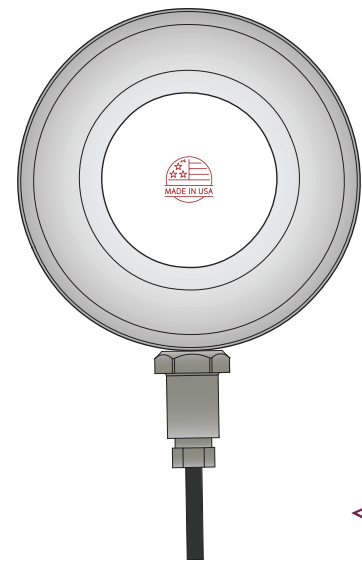


Measurement Specialists Inc., dba National Scale Technology, offers annular load cells as heavy-duty rings ideal for use in anchoring systems, sling lifts, and tension testing. Thanks to their central aperture, Measurement Specialists' washer load cells are great for measuring bolt fastening and clamping forces in automotive and construction applications, as well as in rolling mills.

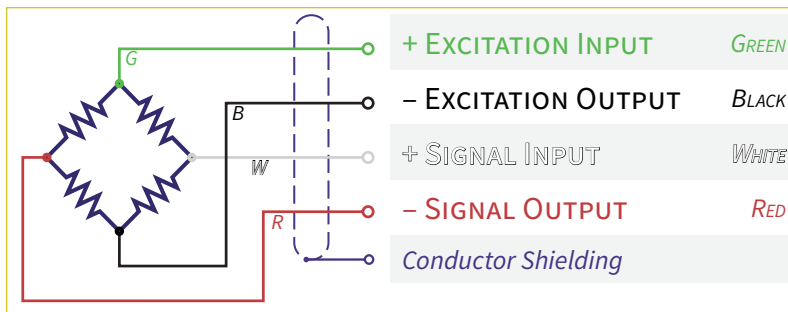
SPECIFICATIONS

Capacity	20,000 U.S. LBS
Maximum Overload	Safe: 150% Ultimate: 300%
Construction	17-4PH Stainless Steel + Heavy-Duty Teflon Cable 60' 4-Conductor Shielded
Temperature Range	-30°F — 350°F
Excitation Voltage	10V — 15V AC/DC
Output Configurations	2mV / V ±0.1%
Bridge Resistance	350Ω Input & Output, ±1% ohms
Insulation Resistance	5000 MΩ min
Accuracy & Precision	Nonlinearity: 0.50% Repeatability: 0.05%
	Full-Scale Output Full-Scale Output

UNIT No. 1700865



WIRING SCHEMATIC



All calibrations conducted with traceability to NIST standards.

Please note that specifications or results may vary as we at Measurement Specialists can customize units per request, as needed.

160 West Park Loop Northwest, Huntsville, Alabama 35806-1744

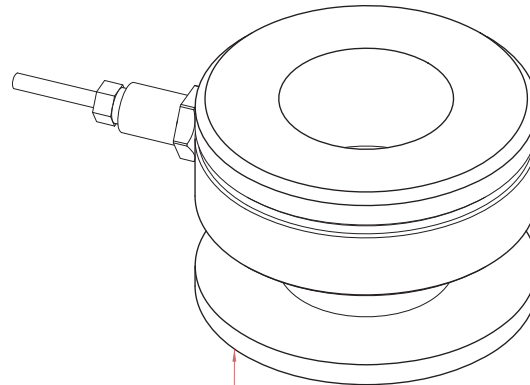


MSNST CANISTER LOAD CELL

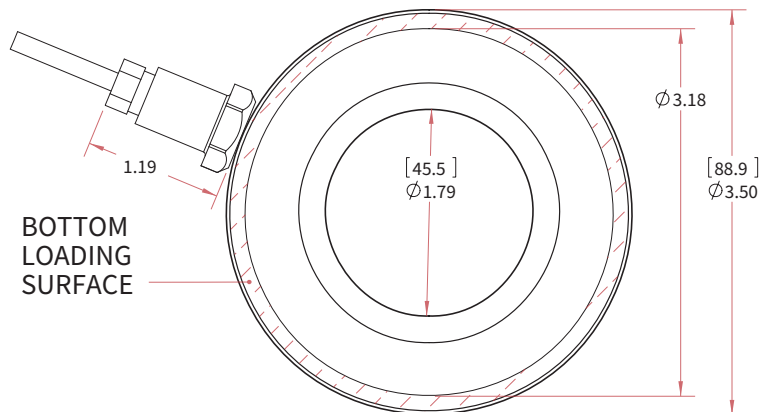
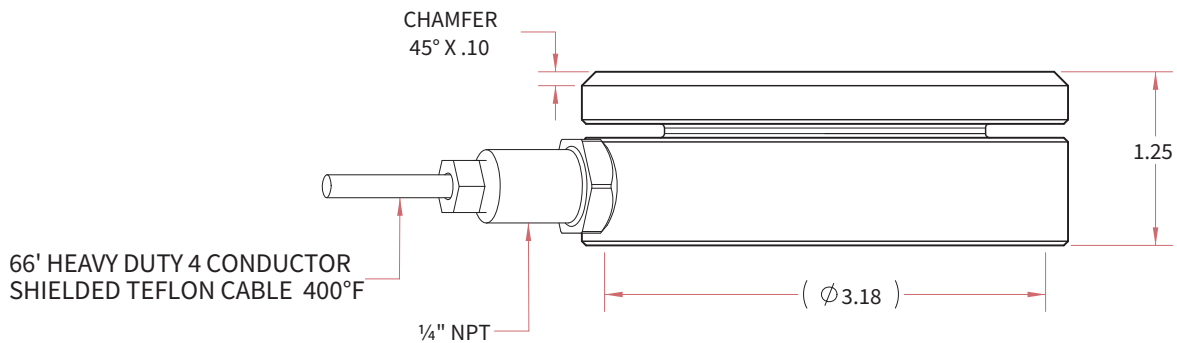
20,000 LBS MODEL



1700865 | DIMENSIONS



HARDENED WASHER
(OPTIONAL, RECOMMENDED
TO ACHIEVE STATED
ACCURACY AND REPETABILITY)



BOTTOM VIEW

160 West Park Loop Northwest, Huntsville, Alabama 35806-1744



MSNST ANNULAR LOAD CELL

3,500,000 LBS MODEL



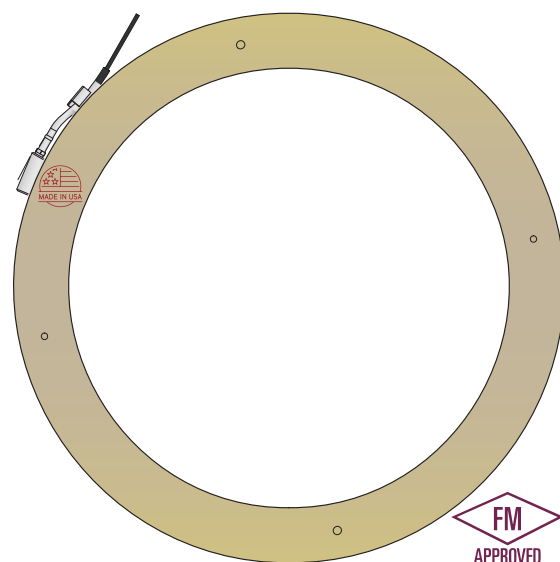
1600 Megatonne Load Cell Description:

Measurement Specialists Inc., dba National Scale Technology, offers annular load cells as heavy-duty rings ideal for use in anchoring systems, sling lifts, and tension testing. Thanks to their central aperture, Measurement Specialists' washer load cells are great for measuring bolt fastening and clamping forces in automotive and construction applications, as well as in rolling mills.

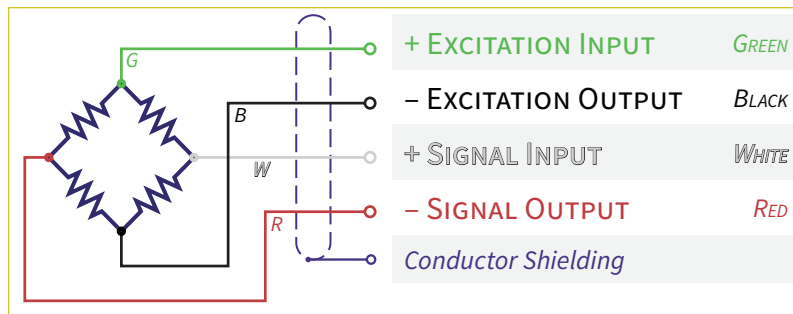
SPECIFICATIONS

Capacities	3,527,396 U.S. LBS	
Maximum Overload	Safe: 250%	Ultimate: 500%
Construction	17-4PH Stainless Steel + Heavy-Duty Polyurethane Cable 25' 4-Conductor Shielded	
Temperature Range	10°F — 150°F	
Excitation Voltage	11V — 28V AC/DC	
Output Configurations	4mA — 20mA Output in Voltage optional	
Bridge Resistance	350Ω Input & Output, ±1% ohms	
Insulation Resistance	1000 MΩ min	
Accuracy & Precision	Nonlinearity: 0.75% Full-Scale Output	Repeatability: 0.10% Full-Scale Output

ASSEMBLY NO. 1700900



WIRING SCHEMATIC



All calibrations conducted with traceability to NIST standards.

Please note that specifications or results may vary as we at Measurement Specialists can customize units per request, as needed.

Toll-Free: (800) 264-9990
sales@msnst.com

**MEASUREMENT
SPECIALISTS**
NATIONAL SCALE TECHNOLOGY

NAICS Codes:
334513 • 541330 • 811210

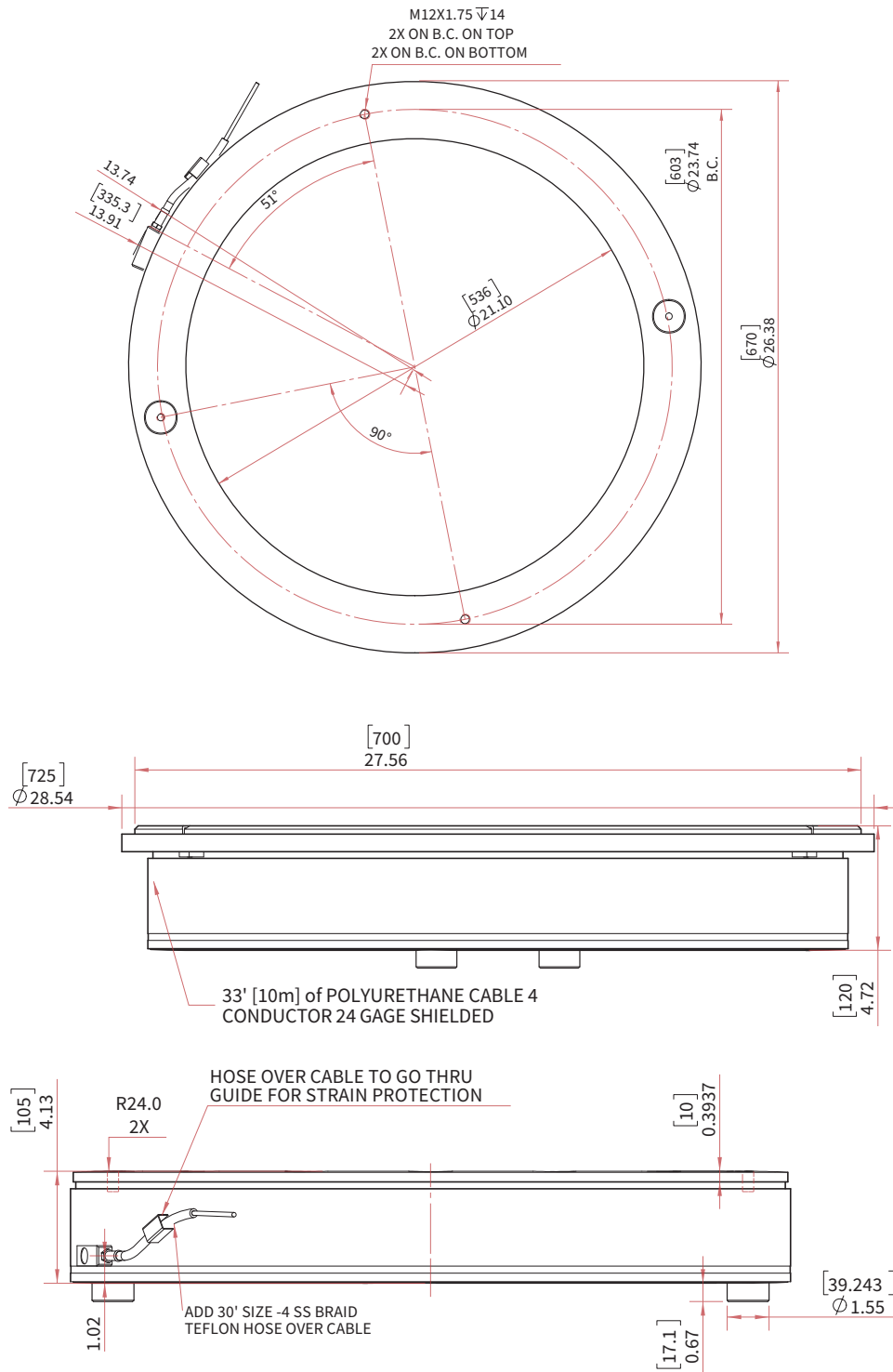


MSNST ANNULAR LOAD CELL

3,500,000 LBS MODEL



3,500K | DIMENSIONS



160 West Park Loop Northwest, Huntsville, Alabama 35806-1744

Toll-Free: (800) 264-9990
sales@msnst.com

**MEASUREMENT
SPECIALISTS**
NATIONAL SCALE TECHNOLOGY

NAICS Codes:
334513 • 541330 • 811210